



In-Line Switches



Type: 1GA (airbreak) and 1GLA (loadbreak)
Orientation: Phase-Over-Phase
Voltage: 15 - 230 KV
Current: 600, 1200, 2000 and 3000 Ampere

Description

A single side-break style switch in a phase-over-phase, in-line configuration. The in-line arrangement of the switch and frame permits the conductor to dead-end directly to the switch frame with the frame orientation to the angle of the line.

Application

A single in-line switch can be used for sectionalizing. Several in-line switches can be used together on a single pole structure to create two-way, three-way, and four-way switch configurations for line taps and ties.

Features & Benefits

- Provides design flexibility to system designers
- Can be stocked as single switches so customers can build multi-way applications "on the fly"
- When switching is no longer required, in-line multi-way applications can be unbundled and switches relocated
- Small footprint minimizes right-of-way requirements
- Excellent ice-breaking characteristics
- Clean visual appearance, less objections from communities

Ordering Information

Standard Equipment

Type "1GA" and "1GLA" GOABS® come complete with copper and copper alloy live parts, welded aluminum frame structures, and a manual control mechanism consisting of vertical control rods, horizontal control rods, outboard bearings, intermediate control rod guides, operating handle, lock-plate assembly, and ground strap.

Type "1GA" switches are furnished with high-speed, snap-out arcing horns for interruption of limited amounts of line charging and transformer magnetizing currents. "1GA" switches can be converted to arcless switching by the addition of SEECO MONORUPTR® vacuum interrupters.

Type "1GLA" switches are furnished with MONORUPTR® vacuum interrupters for arcless switching of load, loop, line charging, and transformer magnetizing currents. Please refer to the catalog section for MONORUPTR® vacuum interrupters for ratings, application, and features and benefits.

Optional Equipment

Accessories, such as motor operators, operator platforms, terminal connectors, porcelain insulating sections, etc. are also available.

To Be Specified on Order

To obtain pricing information or to place an order, the following minimum information must be specified:

- Catalog Number
- Voltage Rating (kV) and BIL Rating (kV)
- Continuous Current Rating (amps)
- Momentary Current Rating (RMS amps)
- If insulators are required, specify TR Number; if insulators are non-standard, specify required parameters, i.e. polymer, extra leakage distance, high strength, resistive glazing, etc.
- Type of pole structure (wood, concrete, steel, laminated wood, etc.)
- Required dimensions: bottom phase to grade, phase to phase, and phase to static
- Type of operating mechanism: manual or motor operator
- Optional equipment

An Order Specification checklist is available to assist you in organizing and completing the information required. You may obtain a copy of the checklist by contacting SEECO, your local sales representative, or on-line at www.seecoswitch.com



Catalog Numbers and Ratings

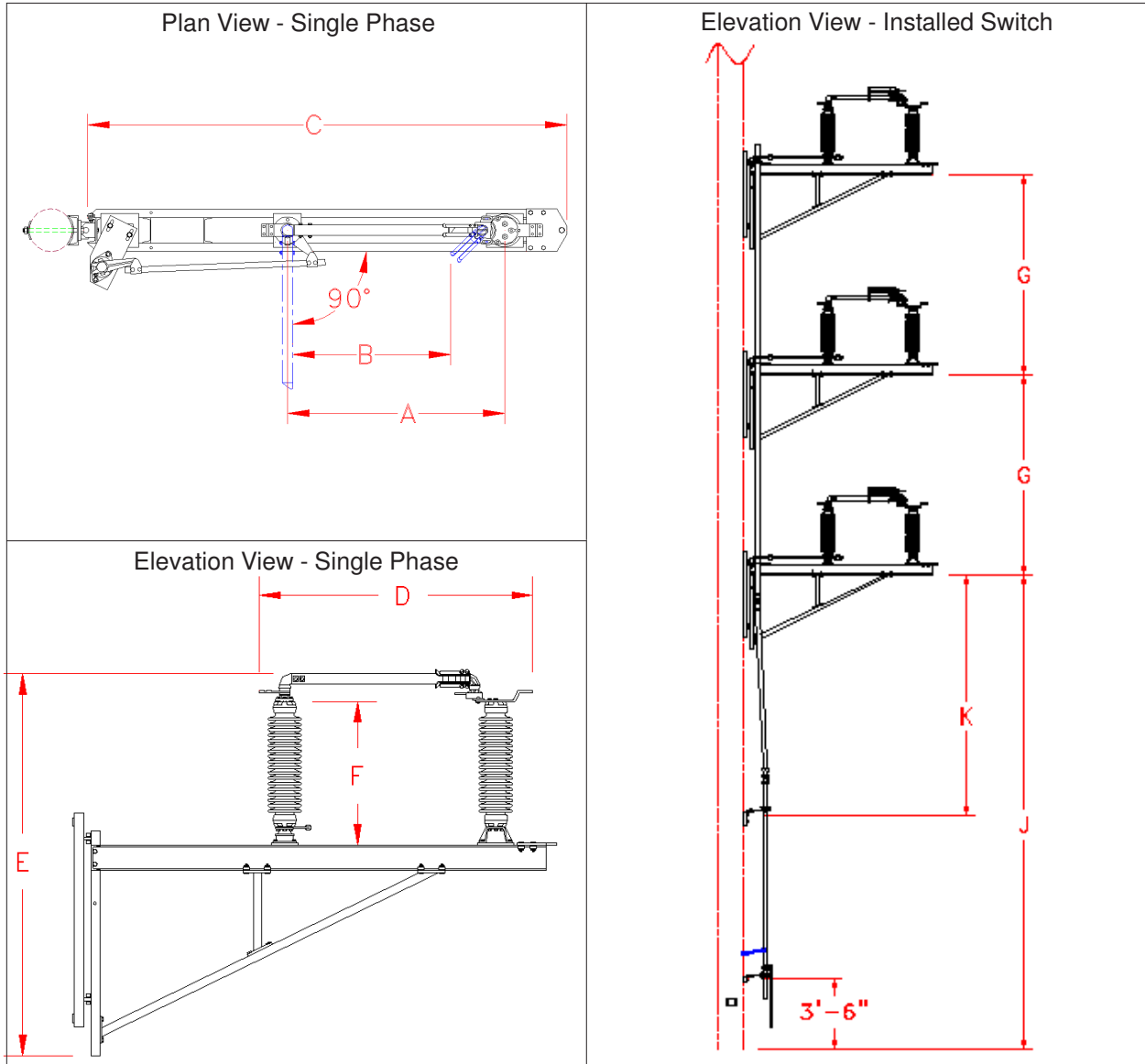
Voltage Rating			Current Rating		Insul TR Nbr	Type 1GA			Type 1GLA		
Nom	Max	BIL	Cont	Mom		Catalog	Weight, Lbs		Catalog	Weight, Lbs	
							Install	Ship		Install	Ship
15	15.5	110	600	40	205	1GA01506SN	468	696	1GLA015061SN	588	992
			1200	61		1GA01512SN	499	727	1GLA015121SN	681	1090
			2000	100		1GA01520SN	561	794	1GLA015201SN	681	1090
			3000	100		1GA01530SN	569	806	1GLA015301SN	691	1106
23	25.8	150	600	40	208	1GA02306SN	527	762	1GLA023061SN	647	1058
			1200	61		1GA02312SN	567	802	1GLA023121SN	687	1098
			2000	100		1GA02320SN	638	883	1GLA023201SN	758	1179
			3000	100		1GA02330SN	648	896	1GLA023301SN	769	1197
34.5	38	200	600	40	210	1GA03406SN	920	1196	1GLA034061SN	1040	1492
			1200	61		1GA03412SN	975	1251	1GLA034121SN	1095	1547
			2000	100		1GA03420SN	1204	1519	1GLA034201SN	1324	1815
			3000	100		1GA03430SN	1222	1542	1GLA034301SN	1344	1842
46	48.3	250	600	40	214	1GA04606SN	1040	1346	1GLA046062SN	1274	1817
			1200	61		1GA04612SN	1096	1402	1GLA046122SN	1342	1873
			2000	100		1GA04620SN	1406	1731	1GLA046202SN	1652	2202
			3000	100		1GA04630SN	1427	1757	1GLA046302SN	1677	2235
69	72.5	350	600	40	216	1GA06906SN	1281	1595	1GLA069063SN	1563	2237
			1200	61		1GA06912SN	1341	1655	1GLA069123SN	1623	2297
			2000	100		1GA06920SN	1501	1851	1GLA069203SN	1783	2493
			3000	100		1GA06930SN	1524	1879	1GLA069303SN	1810	2530
115	121	550	600	40	286	1GA11506SN	2462	3360	1GLA115064SN	2787	3429
			1200	61		1GA11512SN	2877	3775	1GLA115124SN	3202	3844
			2000	100		1GA11520SN	3791	4689	1GLA115204SN	4116	4758
			3000	100		1GA11530SN	3848	4759	1GLA115304SN	4178	4829
138	145	650	600	40	288	1GA13806SN	3182	3659	1GLA138065SN	3562	4297
			1200	61		1GA13812SN	3205	3785	1GLA138125SN	3585	4320
			2000	100		1GA13820SN	3751	4691	1GLA138205SN	4131	4866
			3000	100		1GA13830SN	3807	4761	1GLA138305SN	4193	4939
161	169	750 (1)	600	40	291	1GA16106SN	3529	4058	1GLA161066SN	3954	4644
			1200	61		1GA16112SN	3635	4289	1GLA161126SN	4060	4750
			2000	100		1GA16120SN	3894	4789	1GLA161206SN	4319	5009
			3000	100		1GA16130SN	3952	4861	1GLA161306SN	4384	5084
230	242	900 (2)	600	40	304	1GA23006SN	4235	4870	1GLA230068SN	4745	5573
			1200	61		1GA23012SN	4362	5147	1GLA230128SN	4872	5700
			2000	100		1GA23020SN	4673	5747	1GLA230208SN	5183	6011
			3000	100		1GA23030SN	4743	5833	1GLA230308SN	5261	6101

(1) To specify 900 BIL, add "-0900" to the catalog number, ex. 1GA16112SN-0900

(2) To specify 1050 BIL, add "-01050" to the catalog number, ex. 1GLA230128SN-1050



Dimensional Data 15 - 69 kV, Type 1GA and 1GLA



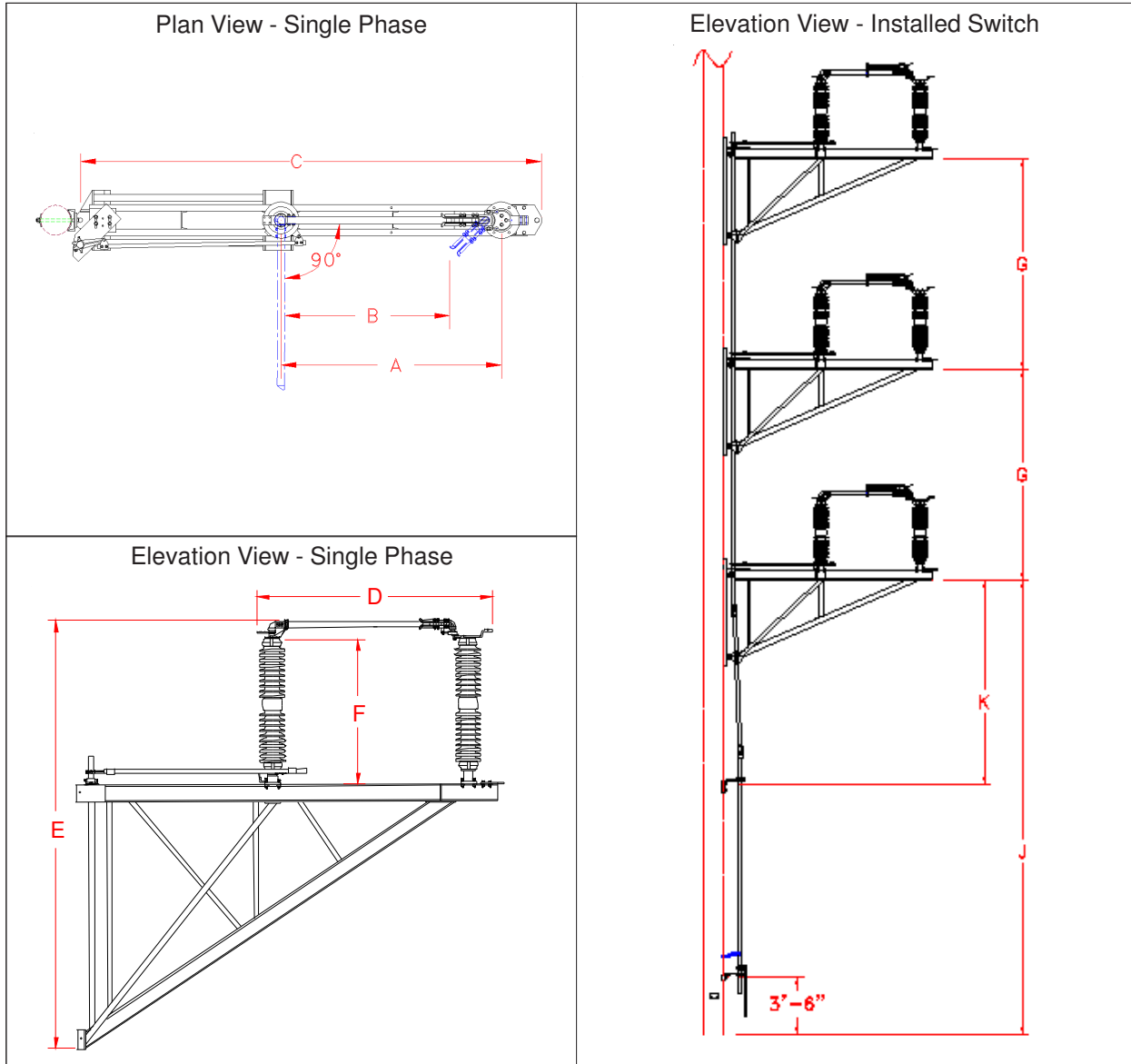
Dimensions in Inches (Unless Otherwise Specified)

If the addition of a loadbreak device is not anticipated, dimension "G" may be reduced; consult the factory for special phase spacing requirements

kV	A	B	C	D	E	F	G	J	K
15	28-1/2	14	61-7/8	21	56-5/8	14	6'-0"	26'-0"	11'-0"
23	34-1/2	20	71-7/8	25	64-5/8	18	6'-0"	26'-0"	11'-0"
34.5	42-1/2	29	91-3/4	29	75-5/8	22	7'-0"	30'-0"	14'-0"
46	42-1/2	29	91-3/4	33	79-5/8	26	8'-0"	37'-0"	17'-0"
69	50-1/2	37	110-5/8	41	96-5/8	34	10'-0"	40'-0"	19'-0"



Dimensional Data 115 - 230 kV, Type 1GA and 1GLA



Dimensions in Inches (Unless Otherwise Specified)

If the addition of a loadbreak device is not anticipated, dimension "G" may be reduced; consult the factory for special phase spacing requirements

kV	A	B	C	D	E	F	G	J	K
115	73	49-5/16	168-3/16	91-1/8	147-1/4	51-3/4	18'-0"	35'-0"	16'-0"
138	80-3/4	57-1/16	180-7/16	98-7/8	170-3/4	60-3/4	22'-0"	35'-0"	16'-0"
161	88-1/2	64-13/16	198-7/16	106-5/8	179-3/4	68-3/4	24'-0"	35'-0"	16'-0"
230	106	82-5/16	231-1/2	122	206	85-7/8	28'-0"	40'-0"	16'-0"